



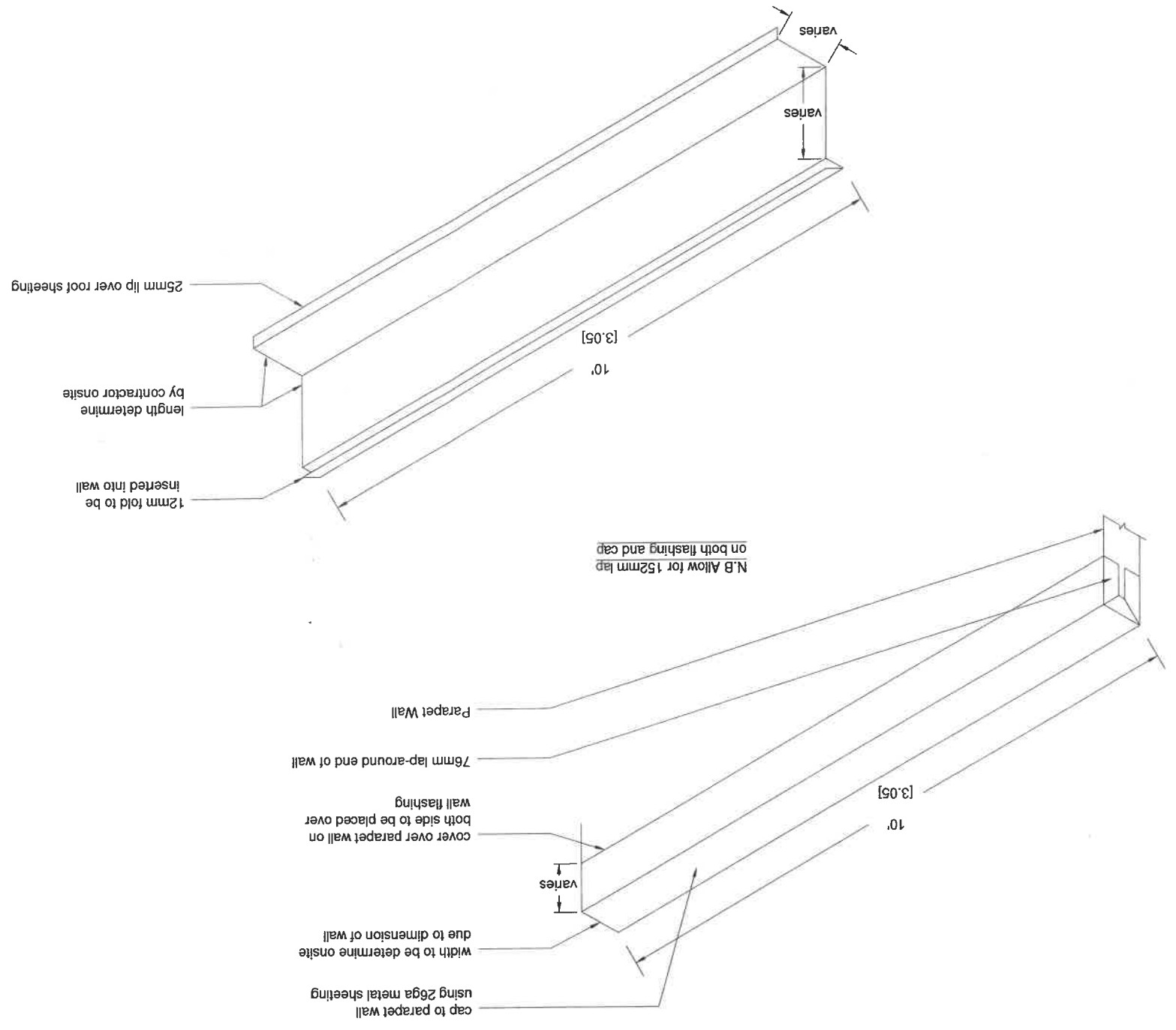
General Notes

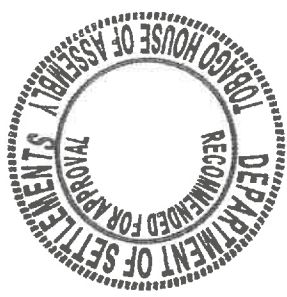
No.	Revision/Issue	Date

DIVISION OF SETTLEMENTS,
PUBLIC UTILITIES
AND RURAL DEVELOPMENT,
TOBAGO.

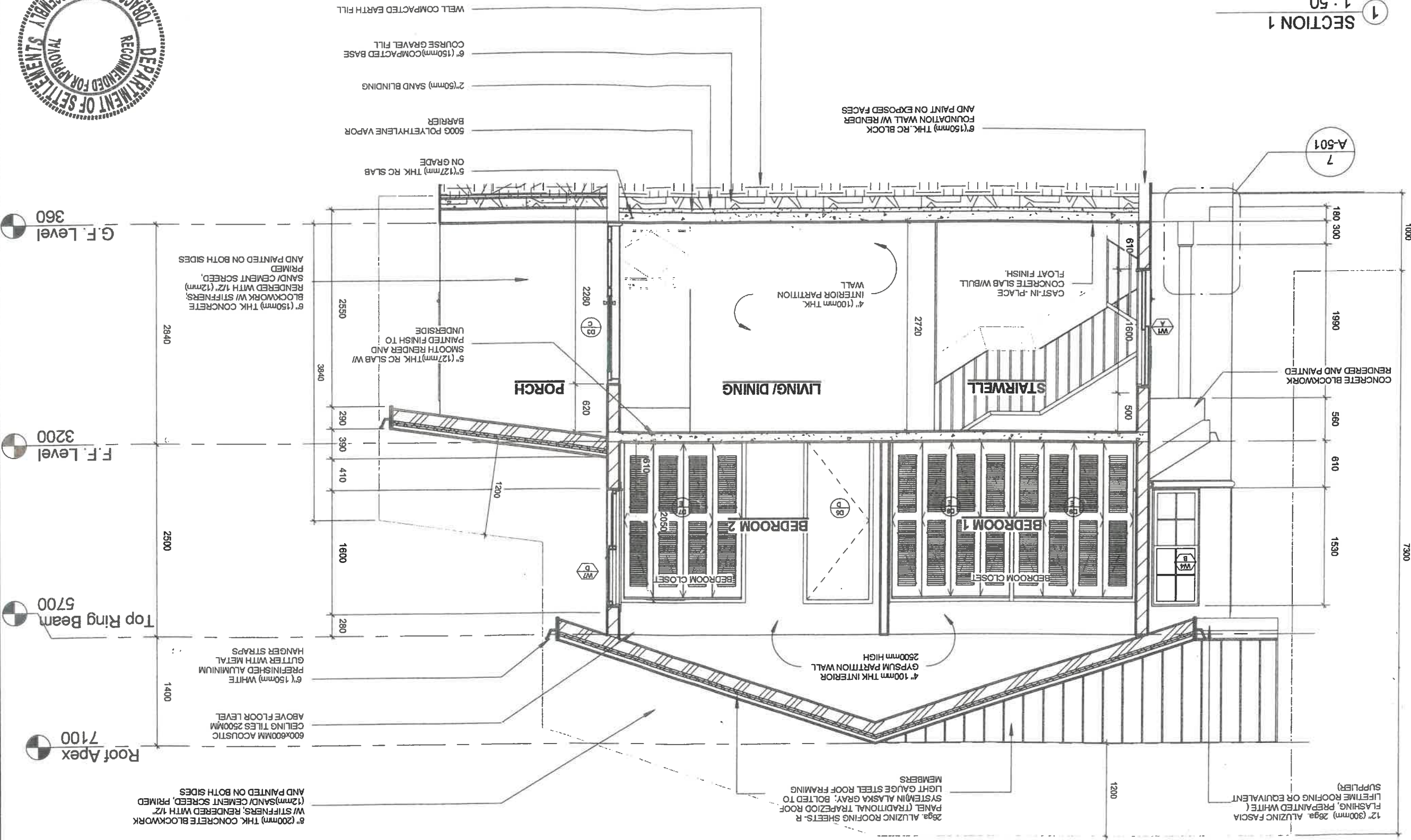
PARAPET WALL CAP FLASHING
ADVENTURE DEVELOPMENT
TOBAGO

Sheet
A-01
Date 26.07.22
Scale N.T.S.





SECTION 1
1 : 50



Project number: 2012/01/PSL

No.	Description	Date

Revisions

Date: 13 SEPT. 2012

Scale: 1 : 50

Checked by: G.S.

Drawn by: S.B.

Drawing Number: A-301

Drawing Title: SECTION 1

Drawing List:

- Architectural: A series
- Civil: C series
- Structural: S series
- Mechanical: M series
- Electrical: E series
- Plumbing: P series

For Construction

Drawing Type: PACKAGE 2 BLOCKS 2A & 2C

Project Title: HDC HOUSING-ADVENTURE TOBAGO

Project Specialist Ltd. **PSL**

HDC HOUSING DEVELOPMENT CORPORATION