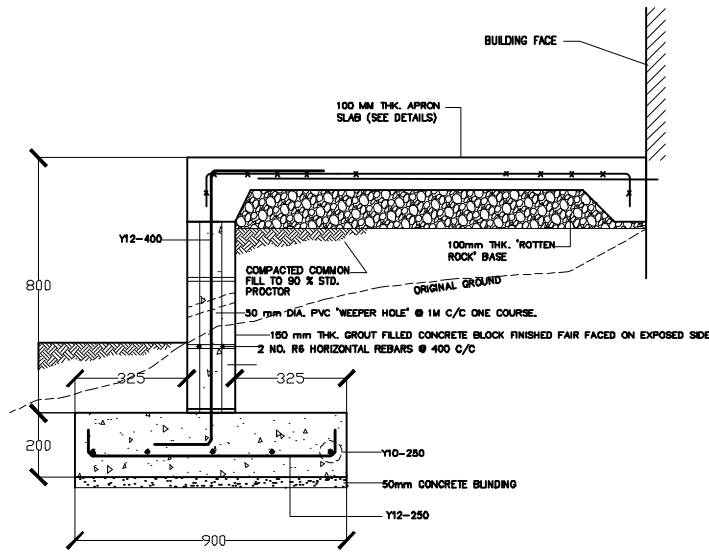
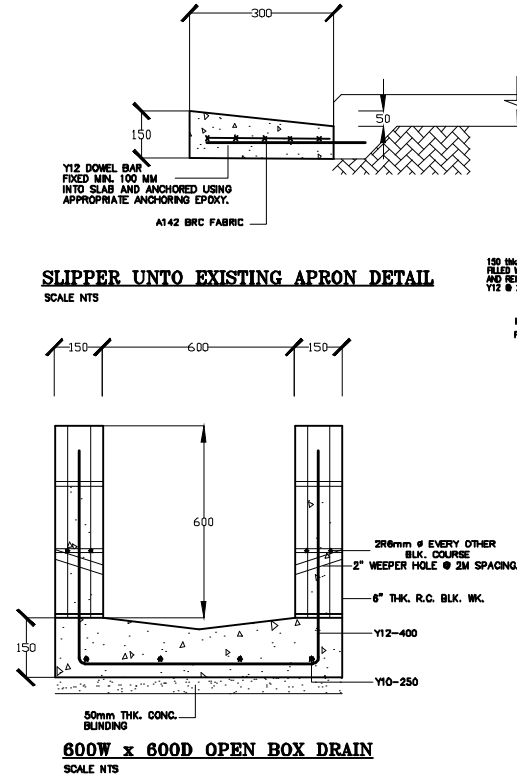


TYP. KERB/BOX DRAIN INTERFACE
SCALE NTS



BLOCK RETAINING WALL/APRON INTERFACE DETAIL
SCALE NTS

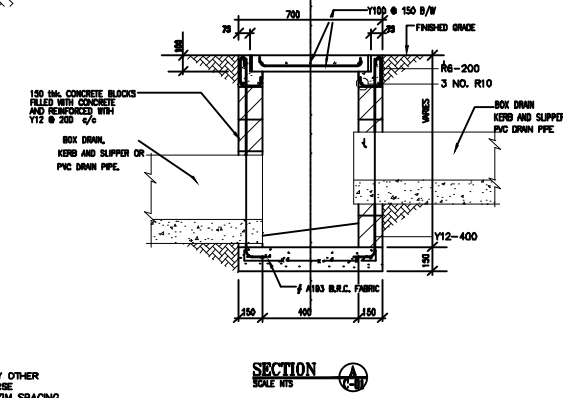


SLIPPER UNTO EXISTING APRON DETAIL
SCALE NTS

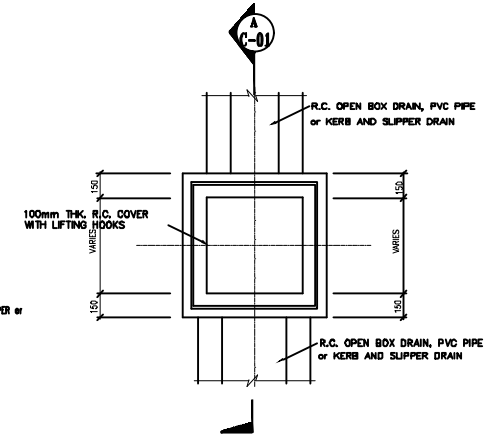
600W x 600D OPEN BOX DRAIN
SCALE NTS

Catchpit Type	Internal Dimensions (DEPTH max. 1m)
A	450 X 450
B	750 X 750

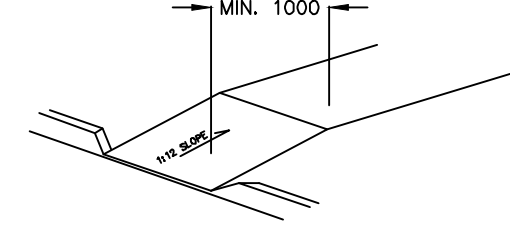
CATCHPIT SIZE TABLE



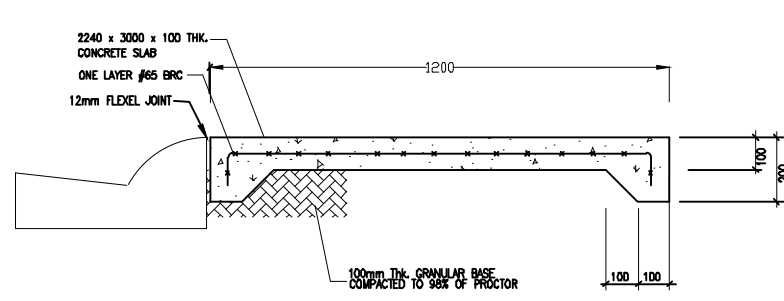
SECTION
SCALE NTS



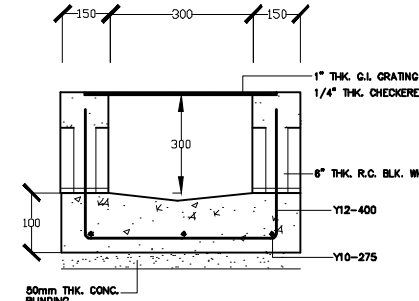
PLAN - CATCH PIT WITH COVER
SCALE NTS



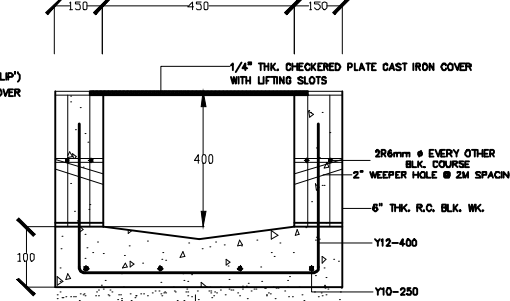
TYPICAL RAMP OFF SLIPPER
SCALE NTS



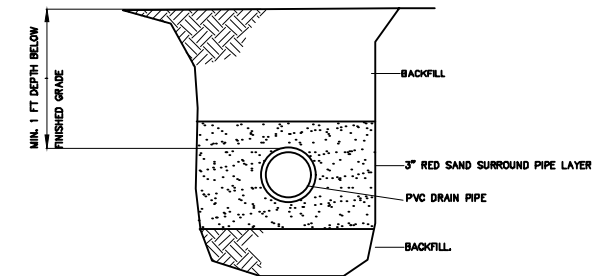
TYP. SECTION THRU. SIDEWALK
SCALE NTS



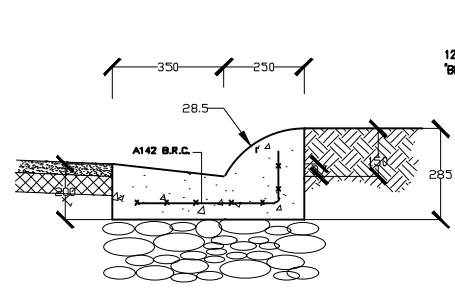
300W x 300D COVERED BOX DRAIN
SCALE NTS



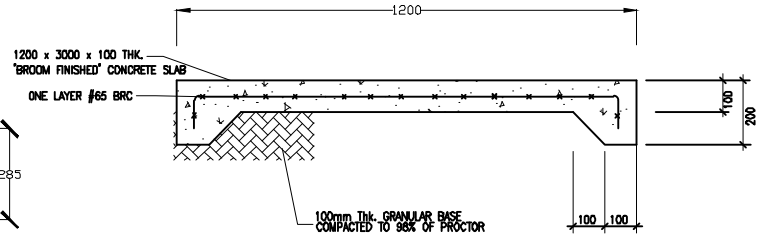
400W x 400D OPEN BOX DRAIN
SCALE NTS



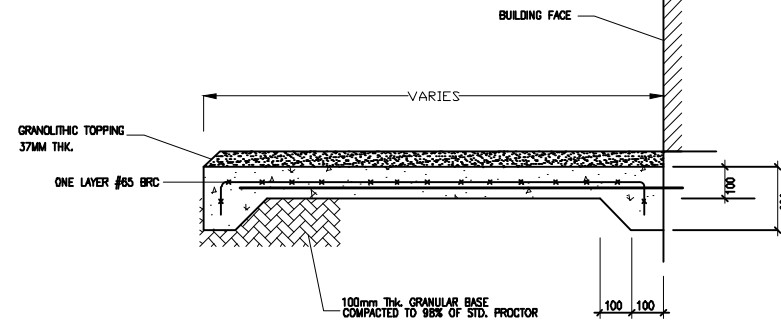
TYPICAL RAINWATER PIPE TRENCH DETAIL
SCALE NTS



TYP. MOUNTABLE KERB AND SLIPPER DRAIN
SCALE NTS



TYP. SECTION THRU. WALK
SCALE NTS



TYP. SECTION THRU. APRON
SCALE NTS

- NOTES:**
- SIDEWALK TO BE BUILT OF 2240 LONG SECTIONS WITH 12mm FLEXEL JOINT BETWEEN
 - ALL STRUCTURAL CONCRETE 21 N/mm² CUBE COMPRESSIVE STRENGTH UNLESS OTHERWISE INDICATED.
 - ALL BLINDING CONCRETE SHALL BE GRADE 'c'
 - COVER TO REINFORCEMENT SHALL BE MINIMUM 40mm (OR 60mm IN GROUND)
 - REBARS SHALL HAVE TENSILE STRENGTH 460 N/mm²
 - ALL DIMENSIONS IN MILLIMETERS UNLESS OTHERWISE NOTED.
 - DOWELS TO BE PLACED AT 400mm C/C AND EMBEDDED AT 100mm DEEP UNLESS OTHERWISE NOTED.
 - LIP BETWEEN INVERT OF PIPE/DRAIN/SLIPPER AND INVERT OF CATCHPIT TO BE A MINIMUM OF 2" (50mm) DEEP.

NO.	DATE	REVISION	INITIALS

PROPOSED ADVENTURE MINI MALLS AND RECREATION PARK PROJECT

CLIENT:	TOBAGO HOUSE OF ASSEMBLY
ARCHITECT:	
DWG. TITLE:	ROAD AND DRAINAGE DETAILS 4

DESIGNED:	A. MARTIN
DRAWN:	A. MARTIN
CHECKED:	
DATE:	APR 2017
SCALE:	AS SHOWN
DWG. NO.:	AMMRP-C01